

W=1480mm/58.27in
D/L=450mm/17.72in
H=570mm/22.44in

Conservation Tips

- Do not use abrasive products to clean such as steel wool, alcohol, vinegar, lemon, scouring powder, or corrosive products which can scratch or peel off the protective film of the furniture.
- The best way to clean your furniture is to use a slightly moistened cloth with a mild soap.
- To move the furniture assembled, it is important that it is lifted off the ground, because the drag it can cause structural damage.
- Do not leave your furniture in weather exposure.

Consejos de Conservación

- No debe utilizarse en la limpieza, abrasivos como lana de acero, alcohol, vinagre, limón, o productos corrosivos que puedan rayar o quita la película protectora en los muebles.
- Cuando la limpieza de muebles en general, napa y formica, deben utilizarse un paño ligeramente humedecido y jabón suave.
- Para mover el móvil, es importante que este se eleva desde el suelo, debido a que el arrastre puede causar daño estructural.
- No deje a su móvil en exposición a la intemperie.

Limited Warranty

The product warranty is limited to manufacture defects for 90 days from time of purchase.

Garantía Limitada

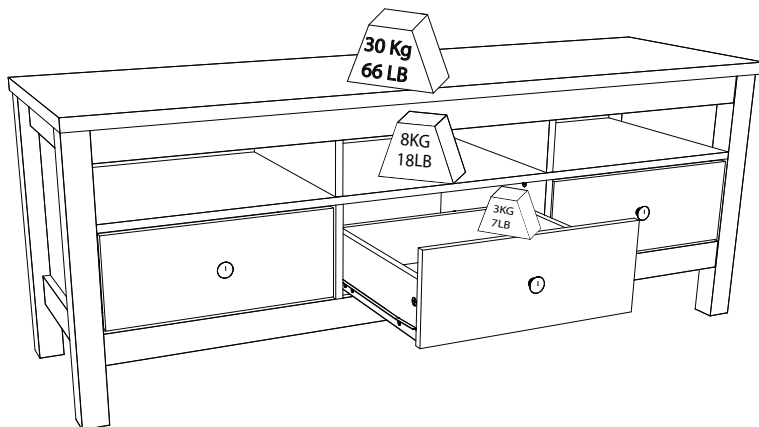
La garantía del producto está limitada a defectos de fabricación por 90 días de la compra.

Weight

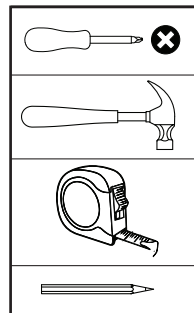
Please pay attention to the maximum weights supported by each compartment product. Be careful not to exceed these weights, in order to ensure the quality and durability of the product. It is important to remember also that the weights shown should be distributed throughout the area of the shelf.

Peso

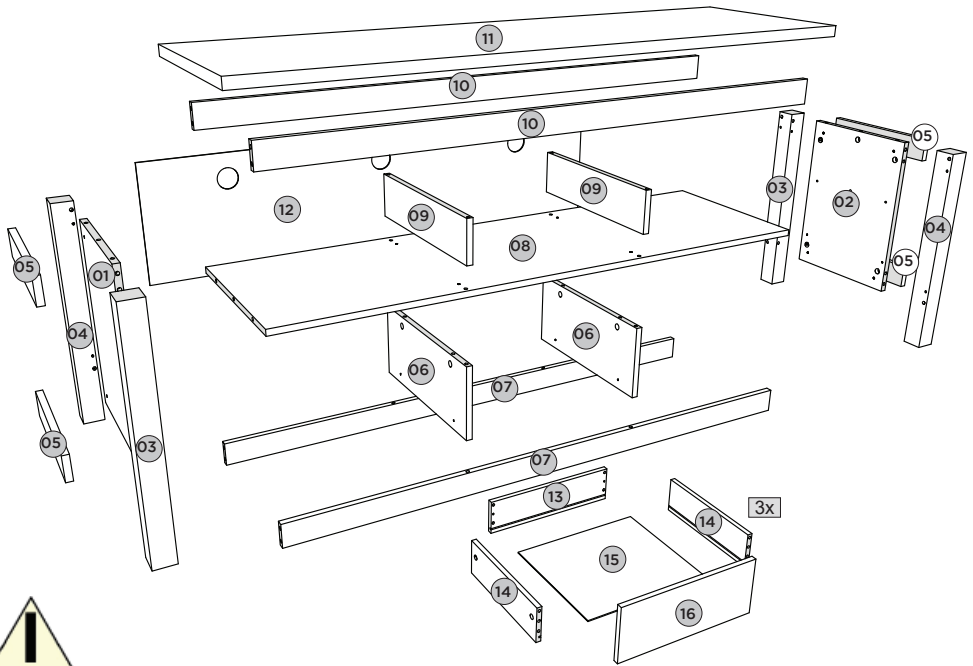
Por favor, preste atención a los pesos máximos admitidos por cada compartimiento del producto. Tenga cuidado de no exceder estos pesos, con el fin de garantizar la calidad y durabilidad del producto. Es importante recordar que los pesos muestran en caso de ser distribuida en toda el área de la plataforma.



TOOLS REQUIRED HERRAMIENTAS NECESARIAS



LIST OF PARTS /LISTA DE PIEZAS



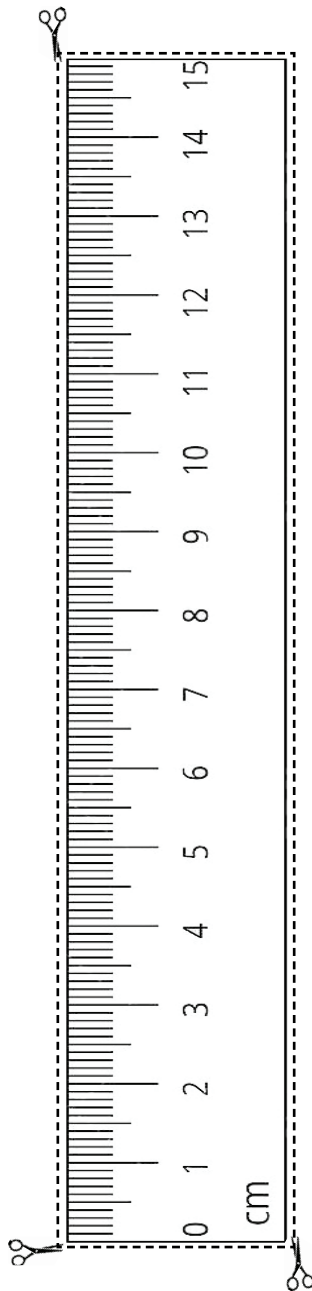
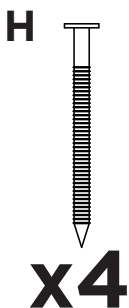
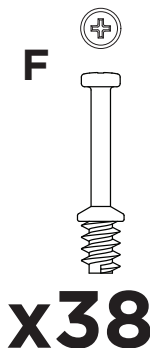
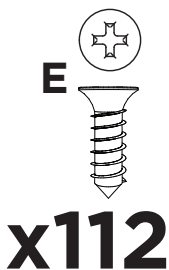
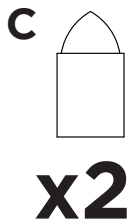
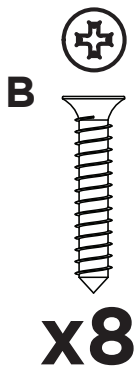
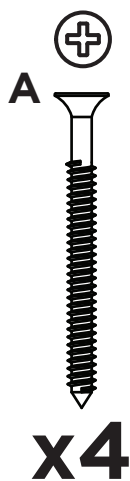
HIGHLIGHTED IN GRAY ON THE PIECES, IT SYMBOLIZES:

- *UNPAINTED PIECE;
- *PIECE WITHOUT EDGE TAPE;
- *PIECE WITH BROWN TAPE FOR FINISHING.

RESALTADO EN GRIS SOBRE LAS PIEZAS, SIMBOLIZA:

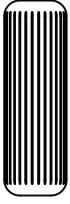
- *PIEZA SIN PINTAR;
- *PIEZA SIN CINTA DE BORDE;
- *PIEZA CON CINTA MARRÓN PARA REMATAR.

#	Qtde	English	Español	mm	in
1	01	Left lateral	Lateral izquierda	425 x 320 x 15	16.73 x 12.60 x 0.59
2	01	Right lateral	Lateral derecho	425 x 320 x 15	16.73 x 12.60 x 0.59
3	02	Left foot	Pie izquierdo	540 x 50 x 50	21.26 x 1.97 x 1.97
4	02	Right foot	Pie derecho	540 x 50 x 50	21.26 x 1.97 x 1.97
5	04	Apply	Moldura	60 x 320 x 15	2.36 x 12.60 x 0.59
6	02	Drawer Division	División de cajones	185 x 420 x 15	7.28 x 16.54 x 0.59
7=10	02	Frame	Travesaño	60 x 1374 x 15	2.36 x 54.09 x 0.59
8	01	Drawers top	Tapa de cajones	1374 x 420 x 15	54.09 x 16.54 x 0.59
9	02	Division	División	105 x 418 x 15	4.13 x 16.46 x 0.59
10=7	02	Frame	Travesaño	60 x 1374 x 15	2.36 x 54.09 x 0.59
11	01	Top	Tapa	1480 x 450 x 25	58.27 x 17.72 x 0.98
12	01	Back Panel	Fondo	345 x 1414 x 3	13.58 x 55.67 x 0.12
13	03	Drawer back frame	Travesaño trasero de cajón	423 x 110 x 15	16.65 x 4.33 x 0.59
14	06	Drawer lateral	Lateral de cajón	350 x 110 x 15	13.78 x 4.33 x 0.59
15	03	Drawer bottom	Fondo de cajón	404 x 361 x 3	15.90 x 14.21 x 0.12
16	03	Drawer front	Frente de cajón	440 x 175 x 15	17.32 x 6.89 x 0.59

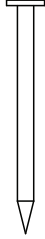


**Screws
1:1**

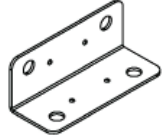
J

**x62**

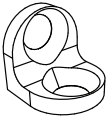
K

**x30**

L

**x8**

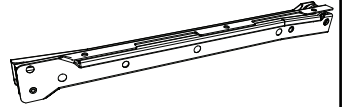
M

**x8**

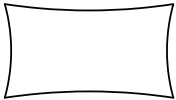
N

**x3**

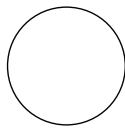
O

**x3**

P

**x2**

Q


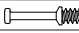



**x6**

STEP 1

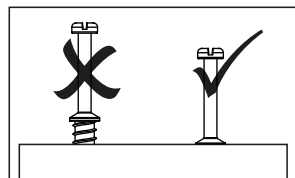
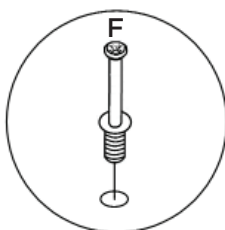
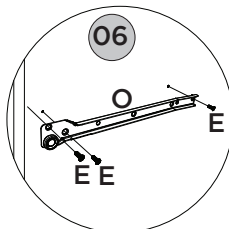
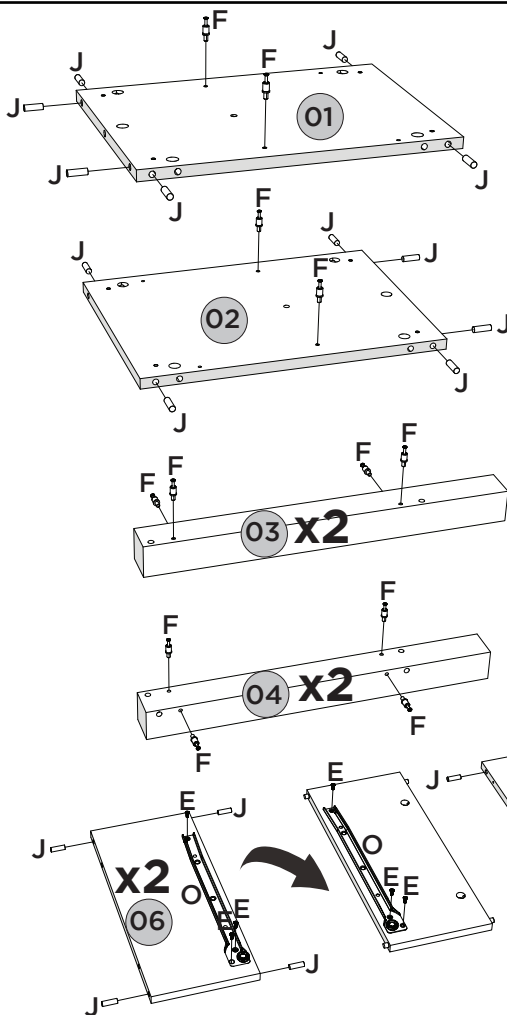
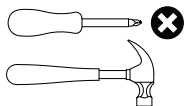
PARTS REQUIRED

1 - LEFT LATERAL	x1
2 - RIGHT LATERAL	x1
3 - LEFT FOOT	x2
4 - RIGHT FOOT	x2
6 - DRAWER DIVISION	x2
9 - DIVISION	x2

HARDWARE REQUIRED

E		12
F		20
J		28
O		02
P		

TOOLS REQUIRED


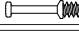





STEP 2

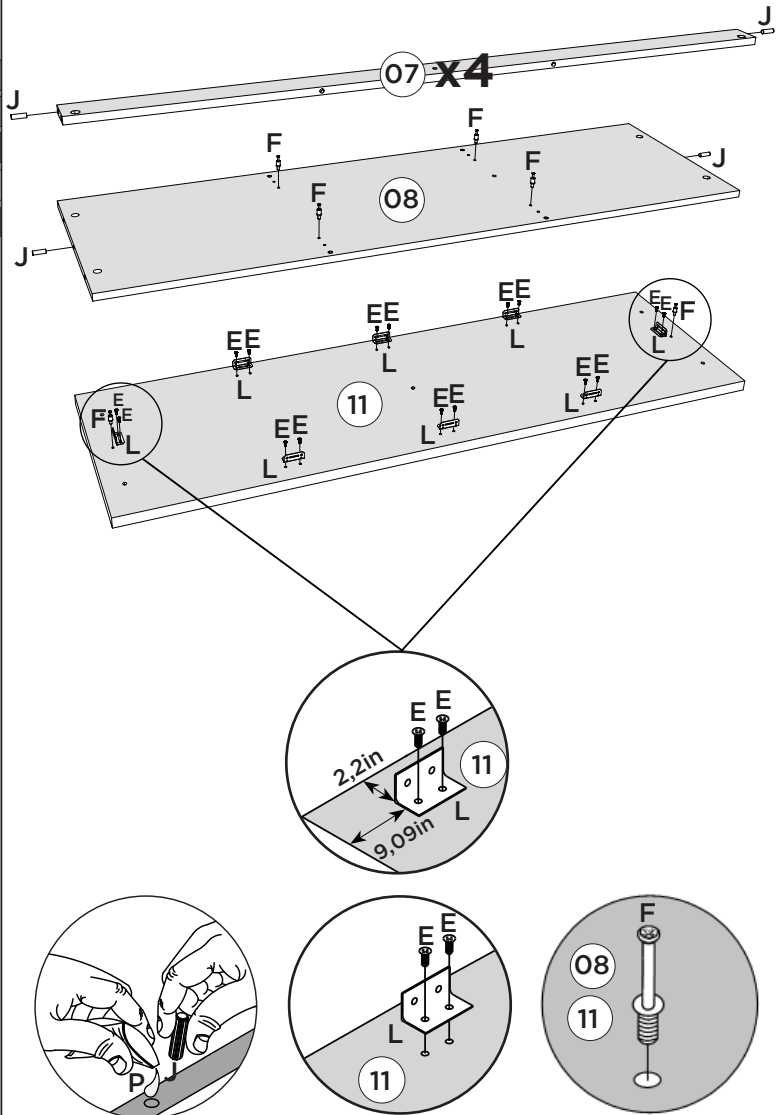
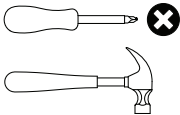
PARTS REQUIRED

7= 10 - FRAME	x4
8- DRAWERS TOP	x1
11 - TOP	x1

HARDWARE REQUIRED

E		16
F		06
J		10
L		08
P		

TOOLS REQUIRED

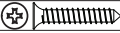






STEP 3

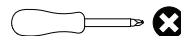
PARTS REQUIRED



1 - LEFT LATERAL	x1
3- LEFT FOOT	x1
4 - RIGHT FOOT	x1
5 - APPLY	x2

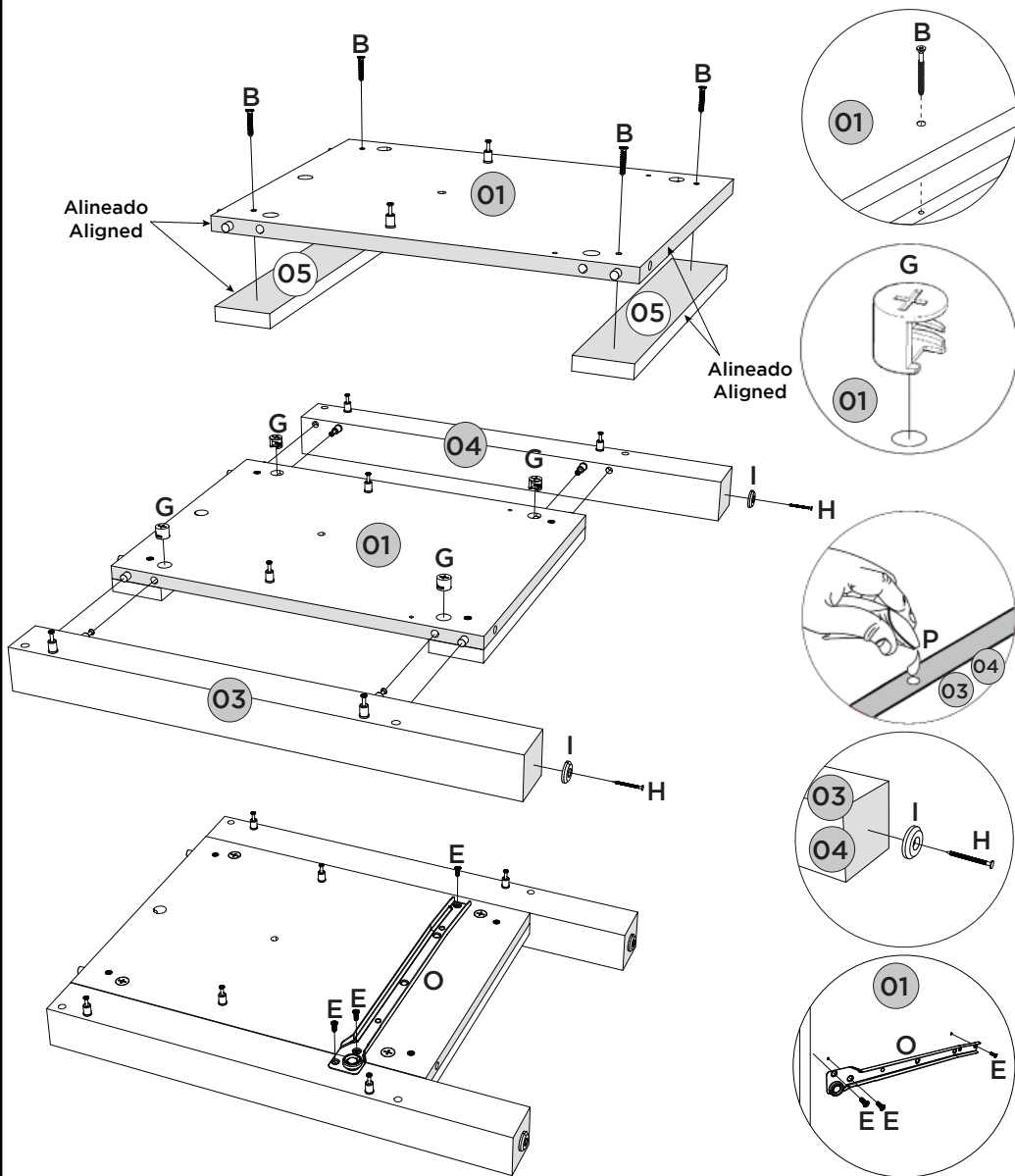
HARDWARE REQUIRED

B		04
E		03
G		04
H		02
I		02

TOOLS REQUIRED



O		01
P		










STEP 4

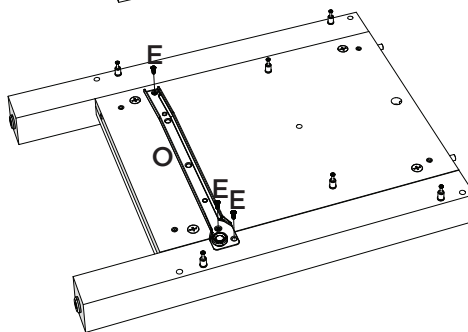
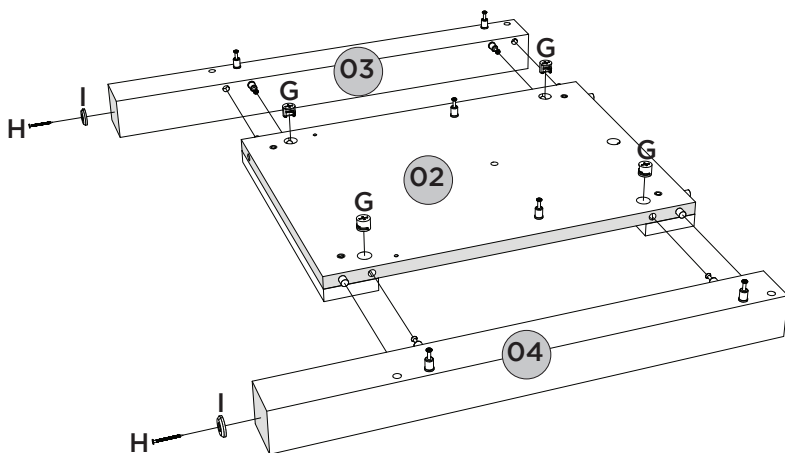
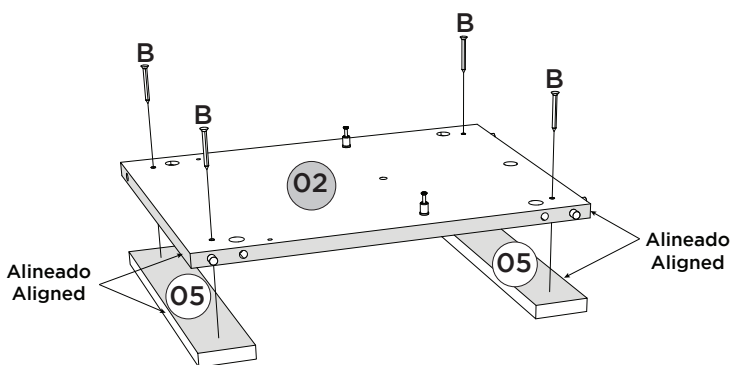
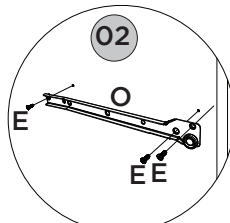
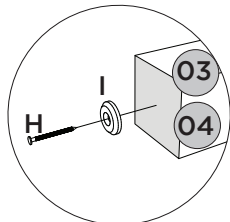
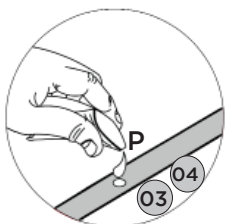
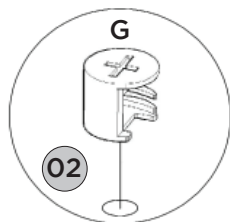
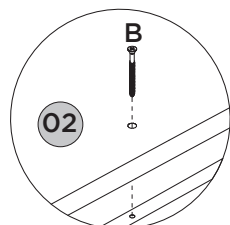
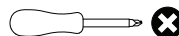
PARTS REQUIRED

2 - RIGHT LATERAL	x1
3- LEFT FOOT	x1
4 - RIGHT FOOT	x1
5 - APPLY	x2

HARDWARE REQUIRED

B		04		
E		03		
G		04		
H		02	O	
I		02	P	

TOOLS REQUIRED




STEP 5

PARTS REQUIRED

6 - DRAWER DIVISION x2

7=10- FRAME x2

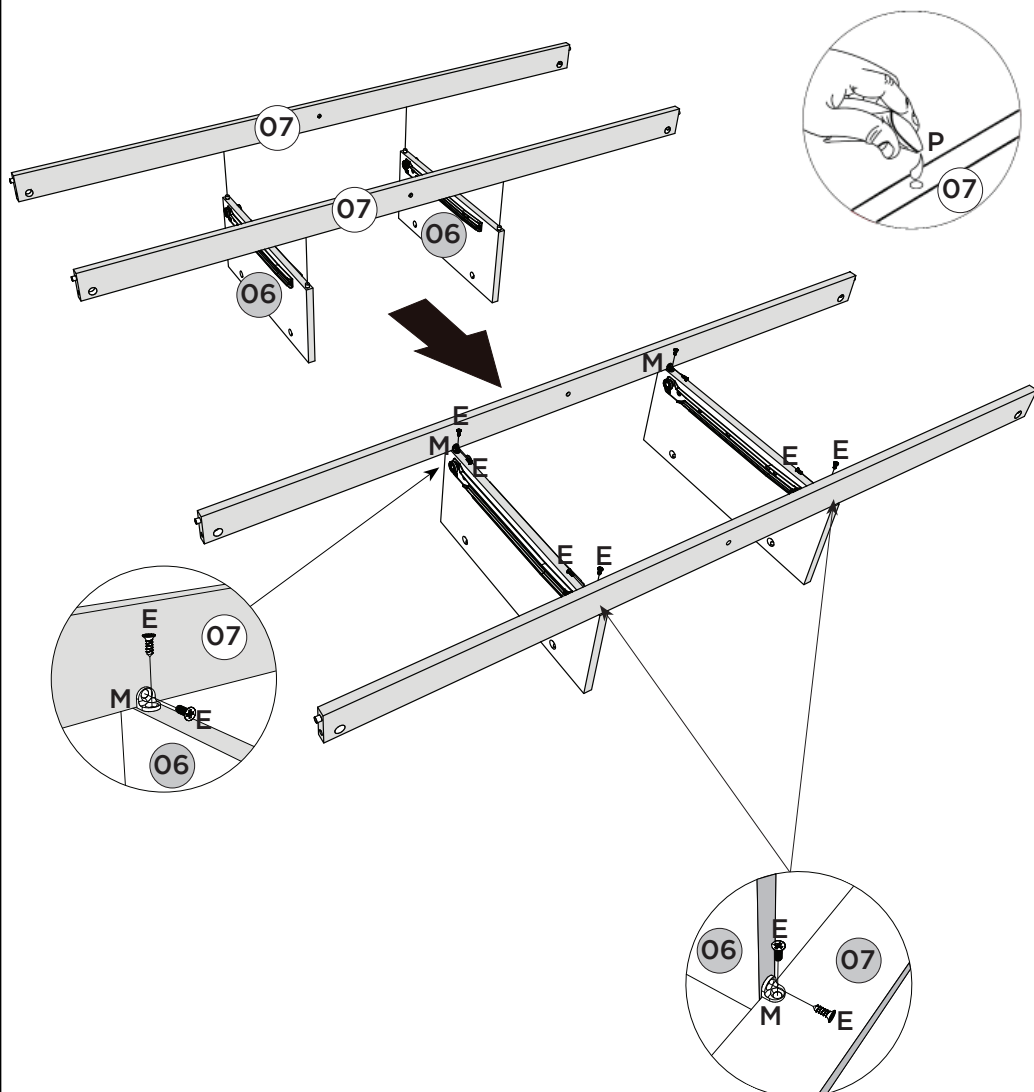
HARDWARE REQUIRED

E  08M  04P 

TOOLS REQUIRED



LOWER REAR VIEW







STEP 6

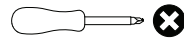
PARTS REQUIRED

8 - DRAWERS TOP	x1
9 - DIVISION	x2
10=7- FRAME	x2

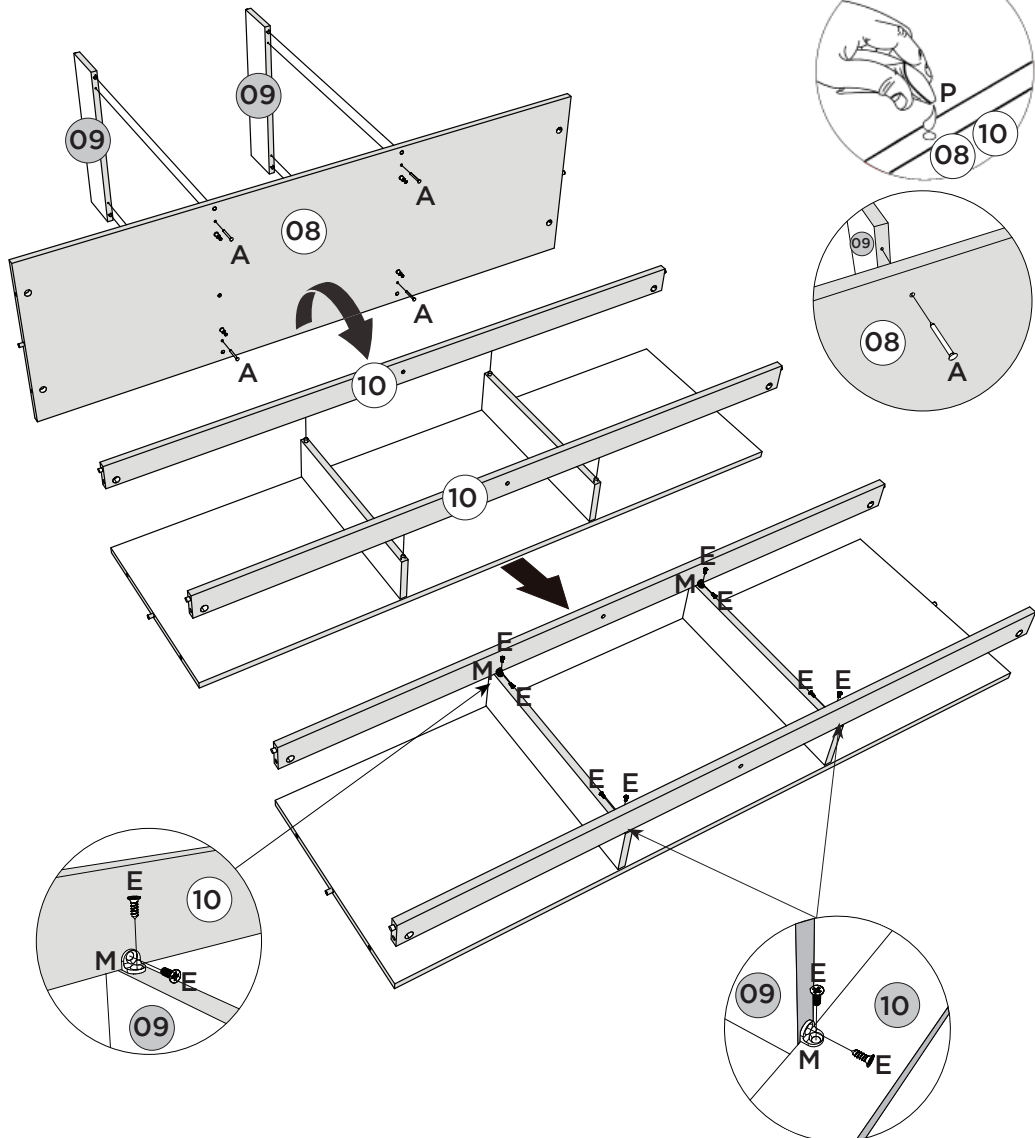
HARDWARE REQUIRED

A		04
E		08
M		04
P		

TOOLS REQUIRED





REAR VIEW

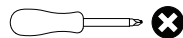


STEP 7

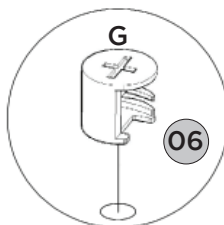
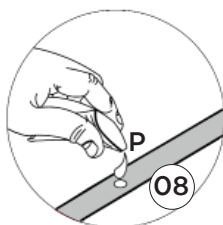
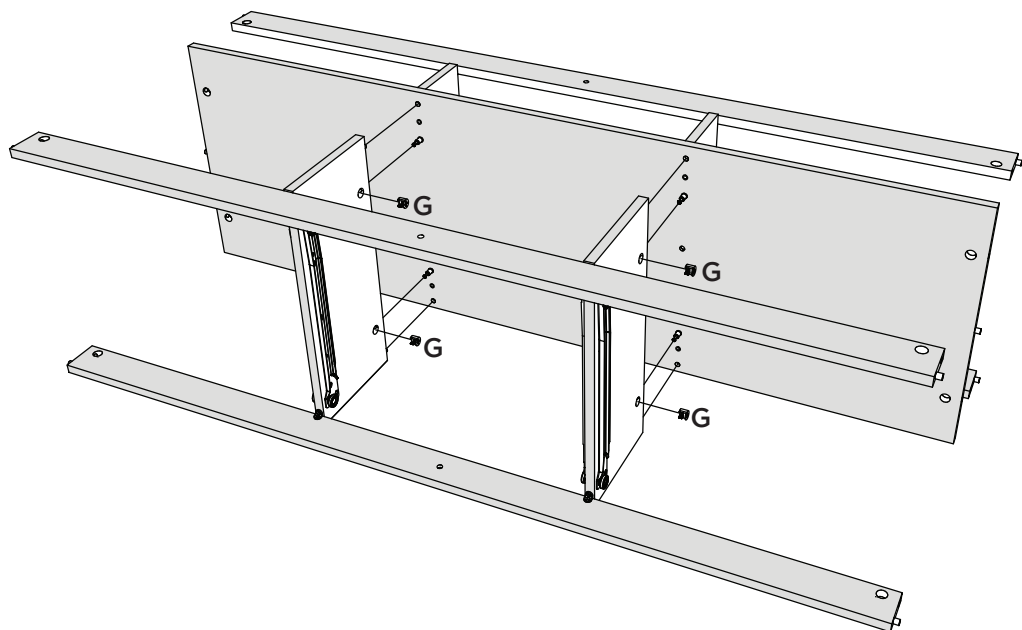
HARDWARE REQUIRED

G		04
P		

TOOLS REQUIRED





REAR VIEW

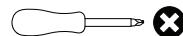


STEP 8

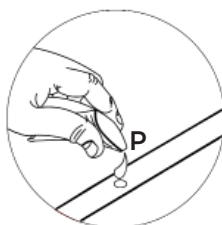
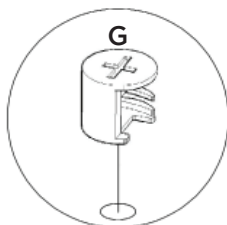
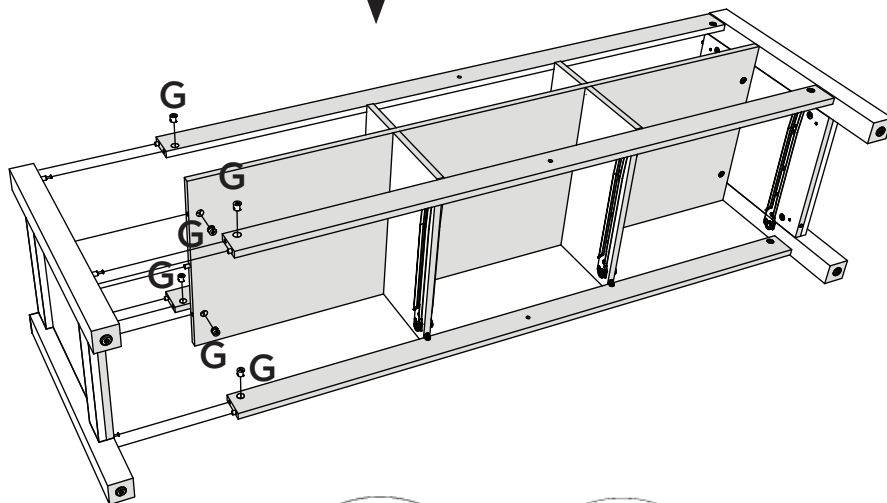
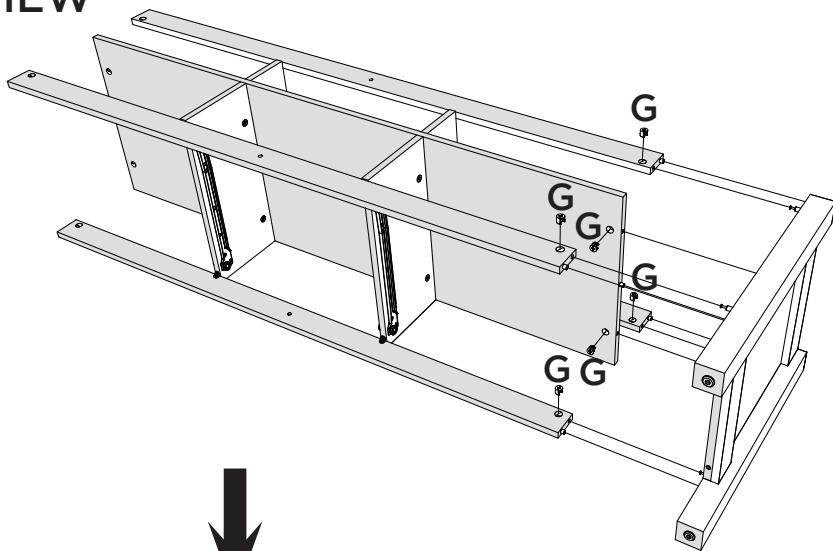
HARDWARE REQUIRED

G		12
P		

TOOLS REQUIRED



REAR VIEW



STEP 9

PARTS REQUIRED

11 - TOP x1

HARDWARE REQUIRED

E  16

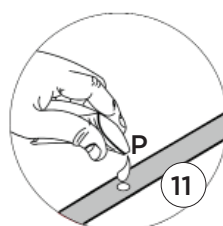
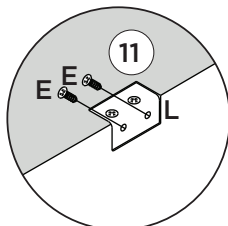
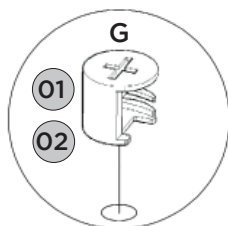
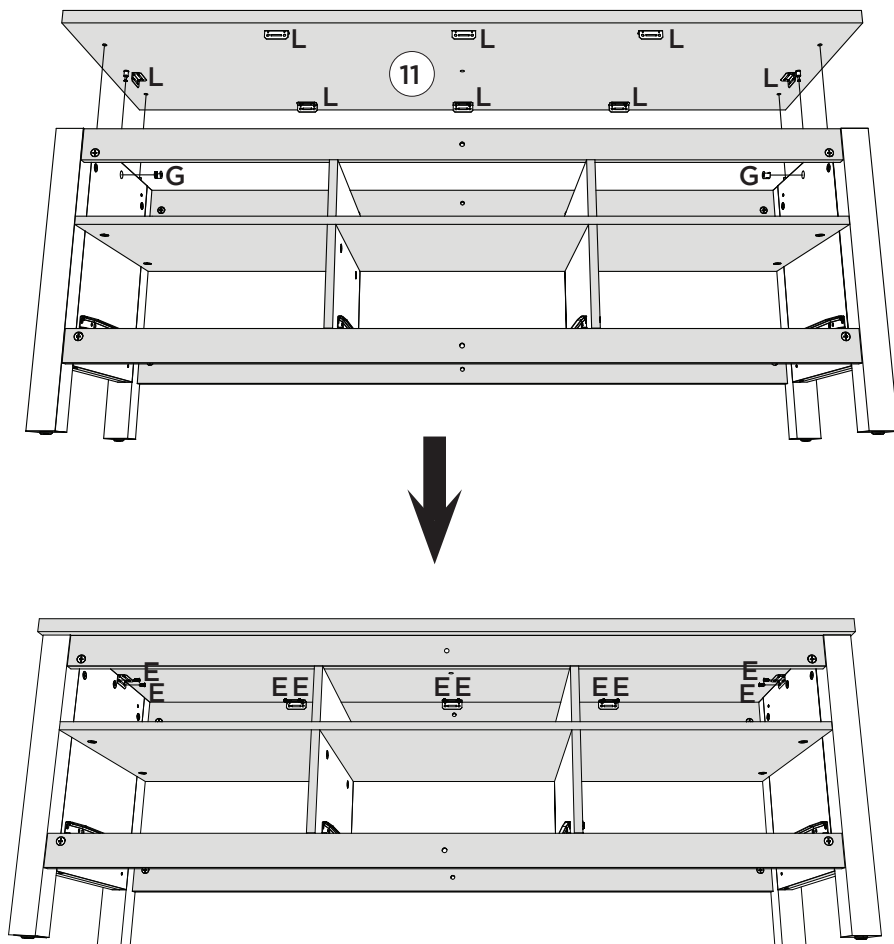
G  02

P 

TOOLS REQUIRED



REAR VIEW

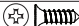


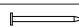
STEP 10

PARTS REQUIRED

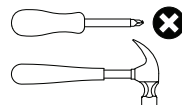
12 - BACK PANEL x1

HARDWARE REQUIRED

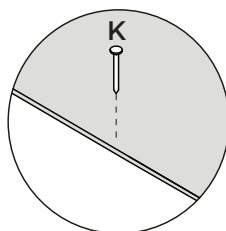
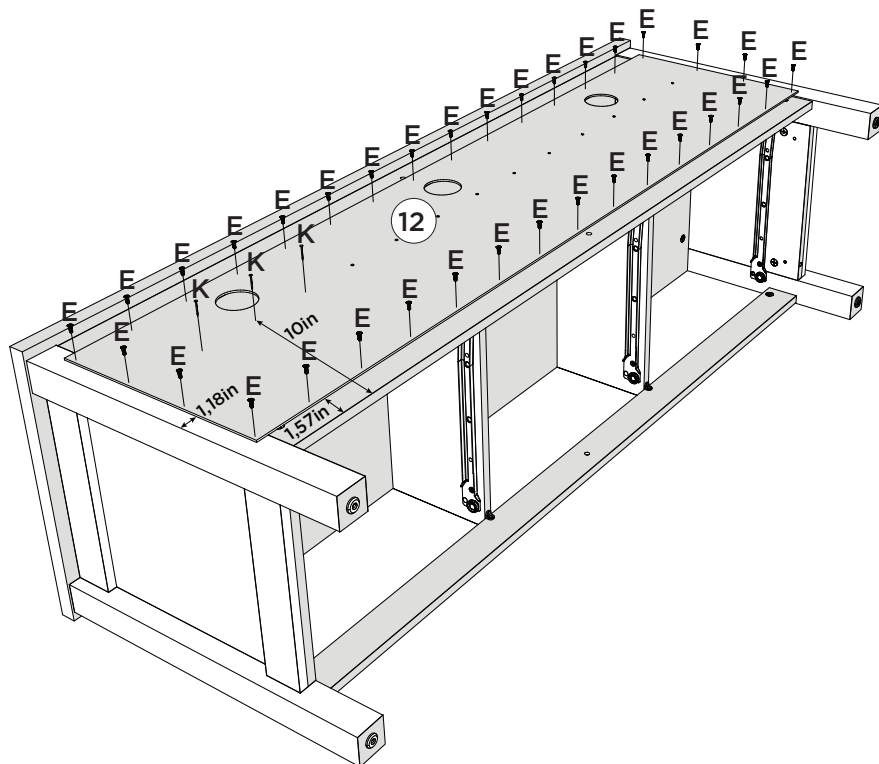
E  34

K  30

TOOLS REQUIRED



REAR VIEW

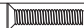
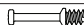





STEP 11

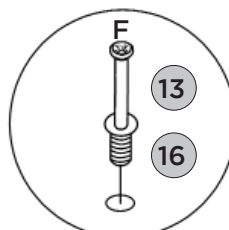
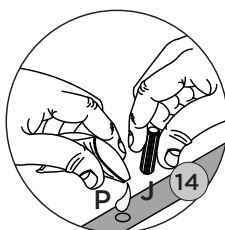
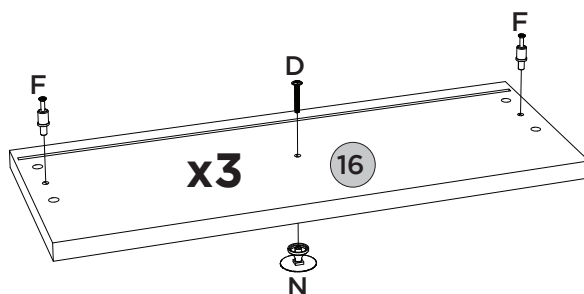
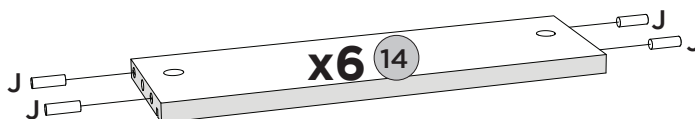
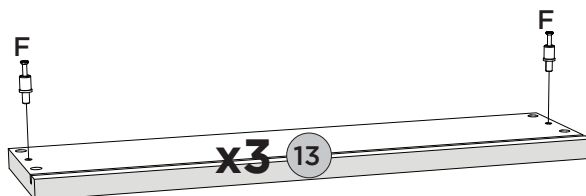
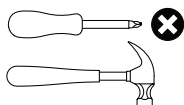
PARTS REQUIRED

13 - DRAWER BACK FRAME	x3
14 - DRAWER LATERAL	x6
16 - DRAWER FRONT	x3

HARDWARE REQUIRED

D		03
F		12
J		24
N		03
P		

TOOLS REQUIRED



STEP 12

PARTS REQUIRED

13 - DRAWER BACK FRAME x3

14 - DRAWER LATERAL x6

15 - DRAWER BOTTOM x3

HARDWARE REQUIRED

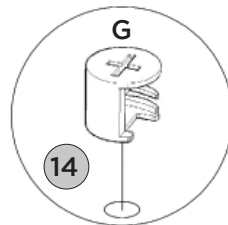
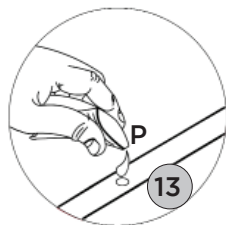
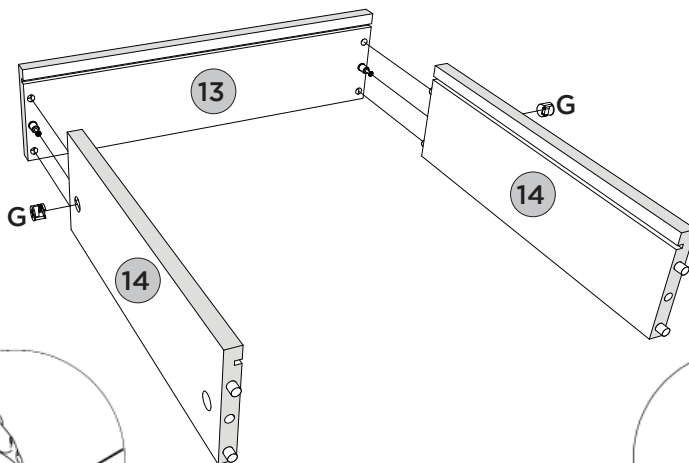
G  06

P 

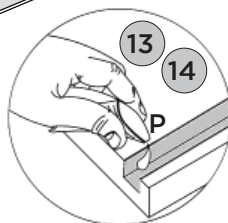
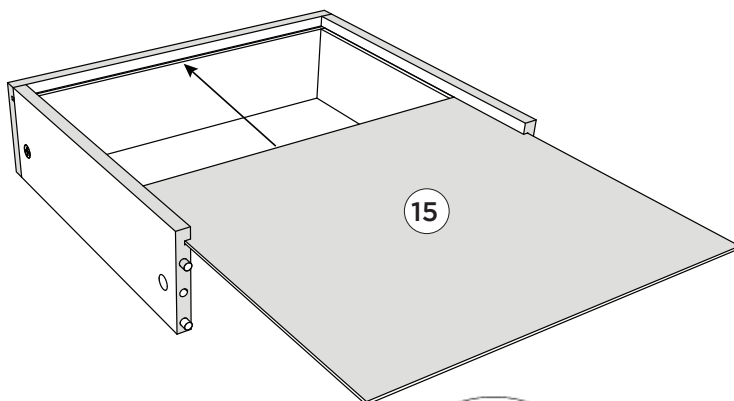
TOOLS REQUIRED



3x



3x







STEP 13

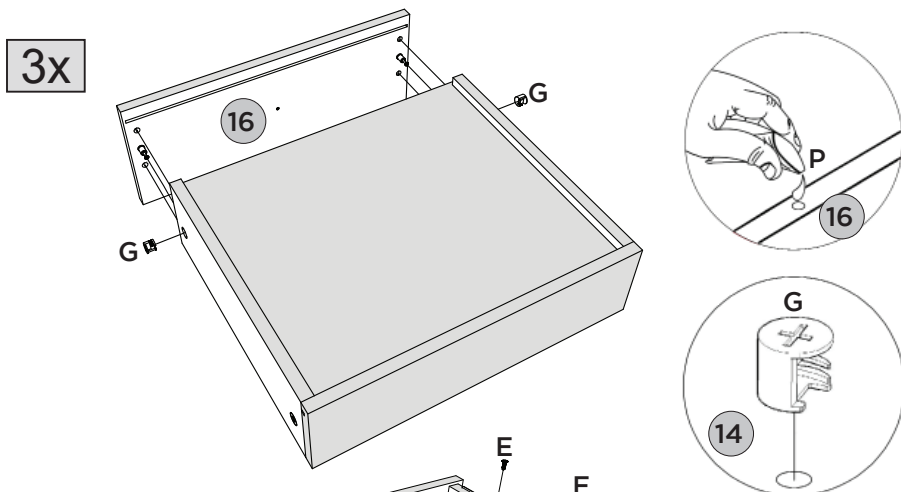
PARTS REQUIRED

16 - DRAWER FRONT x3

HARDWARE REQUIRED

E		12
G		06
O		03
P		

TOOLS REQUIRED

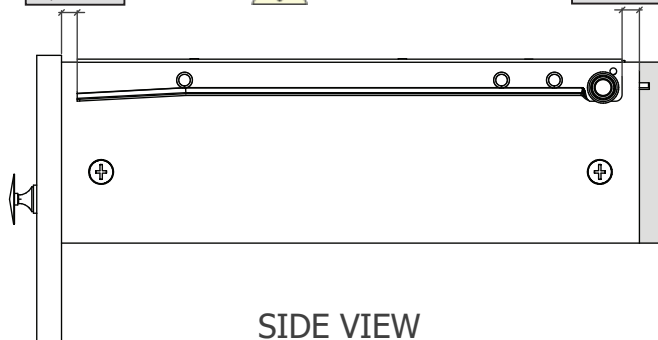


10mm
0,39in



WARNING

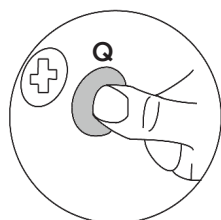
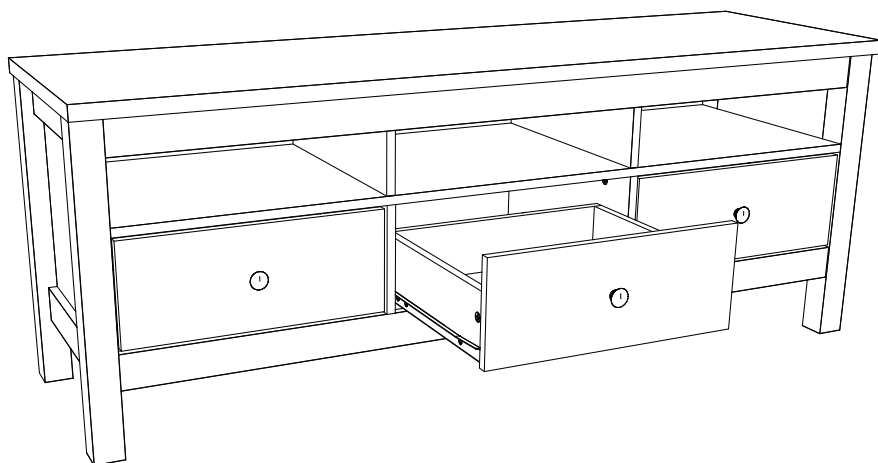
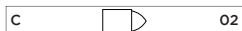
10mm
0,39in



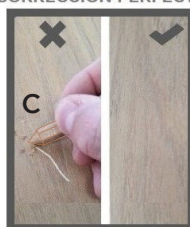
SIDE VIEW

STEP 14

HARDWARE REQUIRED



PERFECT CORRECTION
CORRECCIÓN PERFECTA



COMPLETED PRODUCT

